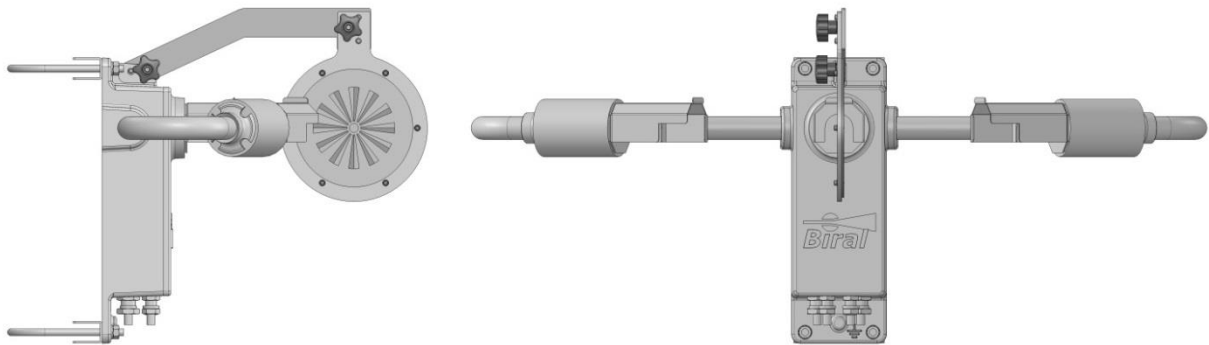
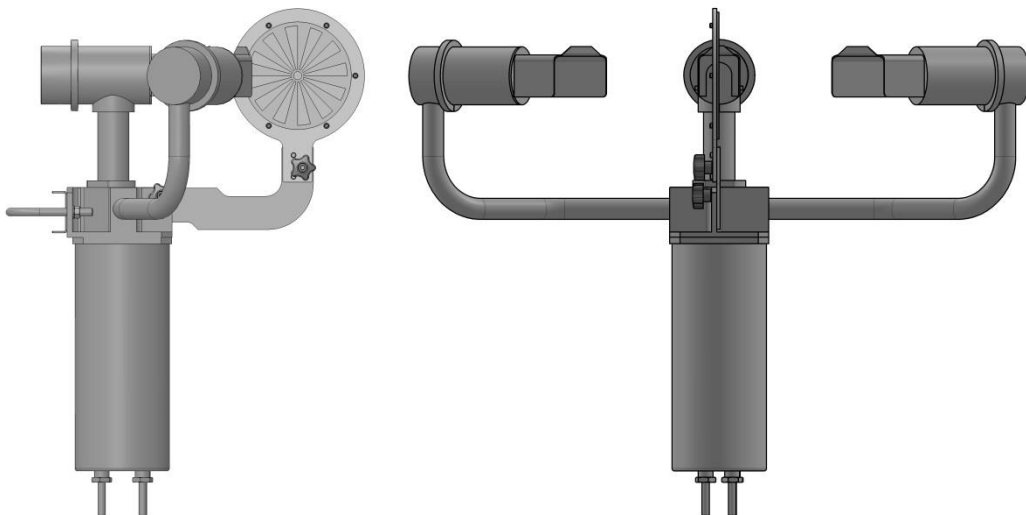


USER GUIDE

Introduction – Installation – Use



Model SWS.TEST for use with SWS & RWS



Model 70.TEST for use with VPF

INTRODUCTION

The Biral Test Plaque is designed to simulate a specific visibility (MOR) environment. The MOR value of each Test Plaque is shown on the Test Plaque label and also on the accompanying certificate.

WARNINGS:

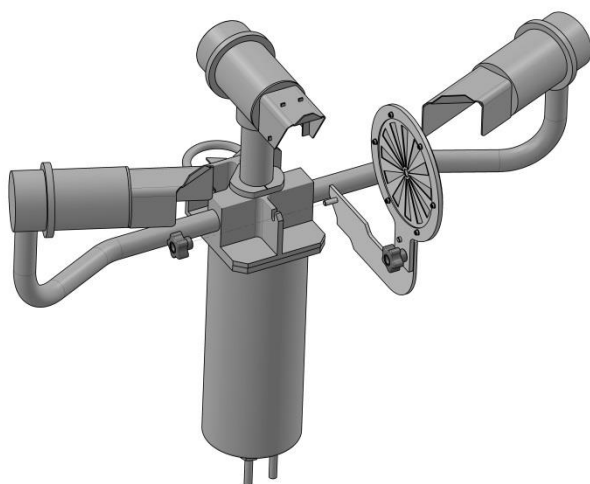
THE TEST PLAQUE MUST NOT BE USED TO CALIBRATE THE SENSOR.

TEST PLAQUES ARE ONLY COMPATIBLE WITH SENSORS MANUFACTURED AFTER 1ST JANUARY 2014 – THE PLAQUE SHOULD FIT EASILY IN ITS MOUNTING POSITION. DO NOT USE FORCE TO FIT – IF IN DOUBT CONTACT BIRAL.

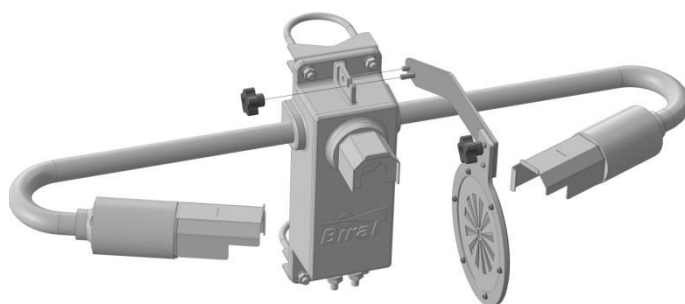
Although the environmental conditions have little effect on the reported MOR when the Test Plaque is fitted, it must not be used under very poor visibility conditions nor during periods of precipitation.

INSTALLATION

Before use ensure that the sensor windows are clean. It is also recommended that a calibration check be performed and, if necessary, the sensor calibrated (see sensor manual). Install the Test Plaque as shown in the image below:



VPF



SWS / RWS

USE

Once the Test Plaque has been installed, the reported MOR will settle to the assigned value ($\pm 10\%$). Please wait for up to 5 minutes for the reported MOR to settle.

Biral – P O Box 2, Portishead, Bristol BS20 7JB, UK

Tel: +44 (0)1275 847787

Fax: +44 (0)1275 847303

Email: info@biral.com

www.biral.com