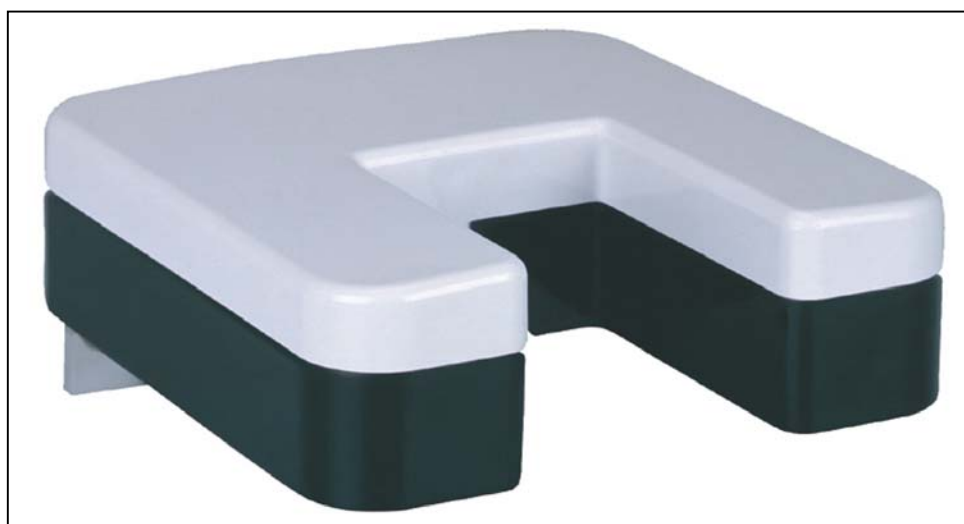


Instruction for use

021197/11/09

Precipitation Monitor

5.4103.10.000, 5.4103.10.700



ADOLF THIES GmbH & Co. KG

Hauptstraße 76 37083 Göttingen Germany
Box 3536 + 3541 37025 Göttingen
Phone +49 551 79001-0 Fax +49 551 79001-65
www.thiesclima.com info@thiesclima.com

Safety Instructions

- Before operating with or at the device/product, read through the operating instructions. This manual contains instructions which should be followed on mounting, start-up, and operation. A non-observance might cause:
 - failure of important functions
 - Endangering of persons by electrical or mechanic effect
 - Damages at objects
- Mounting, electrical connection and wiring of the device/product must be carried out only by a qualified technician who is familiar with and observes the engineering regulations, provisions and standards applicable in each case.
- Repairs and maintenance may only be carried out by trained staff or **Adolf Thies GmbH & Co. KG**. Only components and spare parts supplied and/or recommended by **Adolf Thies GmbH & Co. KG** should be used for repairs.
- Electrical devices/products must be mounted and wired only in voltage-free state.
- **Adolf Thies GmbH & Co KG** guarantees proper functioning of the device/products provided that no modifications have been made to the mechanics, electronics or software, and that the following points are observed:
- All information, warnings and instructions for use included in these operating instructions must be taken into account and observed as this is essential to ensure trouble-free operation and a safe condition of the measuring system / device / product.
- The device / product is designed for a specific application as described in these operating instructions.
- The device / product should be operated with the accessories and consumables supplied and/or recommended by **Adolf Thies GmbH & Co KG** .
- Recommendation: As it is possible that each measuring system / device / product under certain conditions, and in rare cases, may also output erroneous measuring values, it is recommended to use redundant systems with plausibility checks with **security-relevant applications**.

Environment

- As a longstanding manufacturer of sensors Adolf Thies GmbH & Co KG is committed to the objectives of environmental protection and is therefore willing to take back all supplied products governed by the provisions of "*ElektroG*" (German Electrical and Electronic Equipment Act) and to perform environmentally compatible disposal and recycling. We are prepared to take back all Thies products concerned free of charge if returned to Thies by our customers carriage-paid.
- Make sure you retain packaging for storage or transport of products. Should packaging however no longer be required, arrange for recycling as the packaging materials are designed to be recycled.



Documentation

- © Copyright **Adolf Thies GmbH & Co KG**, Göttingen / Germany
- Although this operating instruction has been drawn up with due care, **Adolf Thies GmbH & Co KG** can accept no liability whatsoever for any technical and typographical errors or omissions in this document that might remain.
- We can accept no liability whatsoever for any losses arising from the information contained in this document.
- Subject to modification in terms of content.
- The device / product should not be passed on without the/these operating instructions.

Contents

1	Model	4
2	Application	4
3	Mode of Operation	4
4	Installation.....	4
4.1	Mechanical Mounting	5
4.2	Electrical Mounting for Precipitation with Cable Gland.....	5
4.3	Electrical Mounting for Precipitation with Plug Connection	6
4.3.1	Plug Mounting.....	6
5	Taking into Operation.....	6
6	Maintenance	6
7	Setting of Incidences and Switch-off Delay.....	7
8	Connecting Diagram	8
9	Technical Data.....	9
10	Dimension diagram.....	10
11	Accessories	10
12	EC-Declaration of Conformity.....	11

Tables

Table 1: DIP – switch adjustment.....	7
---------------------------------------	---

1 Model

Order - No.	Measuring value	Electrical Output	Operating Voltage	Connection
5.4103.10.000	Precipitation status	Relay	24 V AC/DC	Cable gland
5.4103.10.700	Precipitation status	Relay	24 V AC/DC	7- pole plug connection

2 Application

The precipitation monitor transmits signals to determine the beginning and the end of precipitation and the duration of the period of precipitation as required by meteorological services.

In addition, the precipitation monitor can be used to report status or to transmit control signals to connected rain protection devices such as windows, air vents, awnings, or Venetian blinds.

3 Mode of Operation

Precipitation in the form of drizzle, rain, snow or hail is detected by means of a light barrier system and triggers a signal. A built-in incidence-filter shall smooth the triggering of switching signals in case of individual incidences, as for example leaves, bird droppings, insects etc. For this, a certain number of at least n incidences should have occurred within a time-window of 50 sec. The number of drop incidences (1...15) can be selected through the DIP-switch on the pc-board.

With the precipitation end the switching signal is reset after a selectable switch-off delay. Thanks to the immediate evaluation of the incidences it is possible to determine precisely the beginning and end of the precipitation period.

The instrument is equipped with a heating system for extreme weather condition. This avoids ice and snow forming on the housing surface. In addition, the surface retains a temperature of $>0^{\circ}$ by means of a regulated heating.

4 Installation

Please Note:

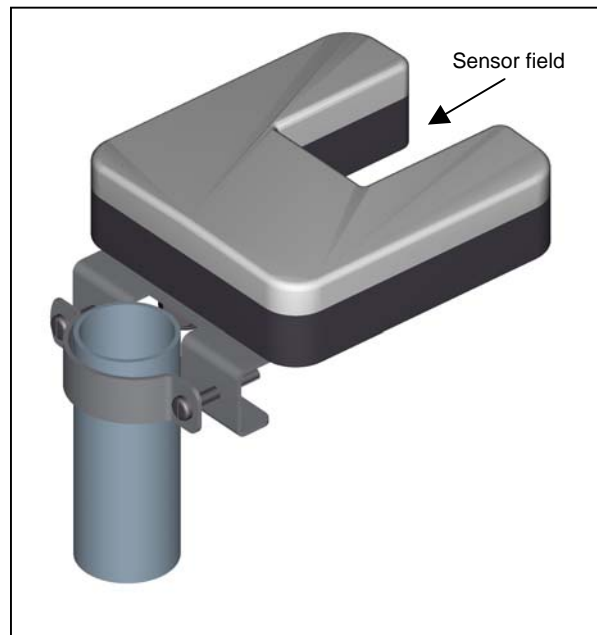
*The electrical connection is to be carried out by experts only.
Please open the instrument only with dry ambient conditions.
Do not damage the exposed electronics!*

Remark:

In order to achieve an optimal electro-magnetic immunity (> 20 V/m) please use shielded cable.

4.1 Mechanical Mounting

The mounting system of the instrument is designed for attachment to a mast. When mounting make sure, that the precipitation can easily reach of the sensor field, and that the instrument, while operating, is not exposed to strong vibrations or shocks.



4.2 Electrical Mounting for Precipitation with Cable Gland

To connect the instrument electrically, remove the cover with its 5 screws. The connecting terminals and the DIP-switches for selecting the number of incidences and switch-off delays are then accessible. The electrical connection is carried out according to the Circuit diagram. Insert the cable from below through the screwed cable gland on the bottom of the case and connect it to the connecting terminals and the shield connection. After the wiring – and mounting work is done, the nuts of the screwed cable gland, and die screws of the cover are to be screwed evenly tight with the case so that water cannot penetrate it. The fixing screws for the cover must be screwed down with a torsional of 1 Nm to 2 Nm.

4.3 Electrical Mounting for Precipitation with Plug Connection

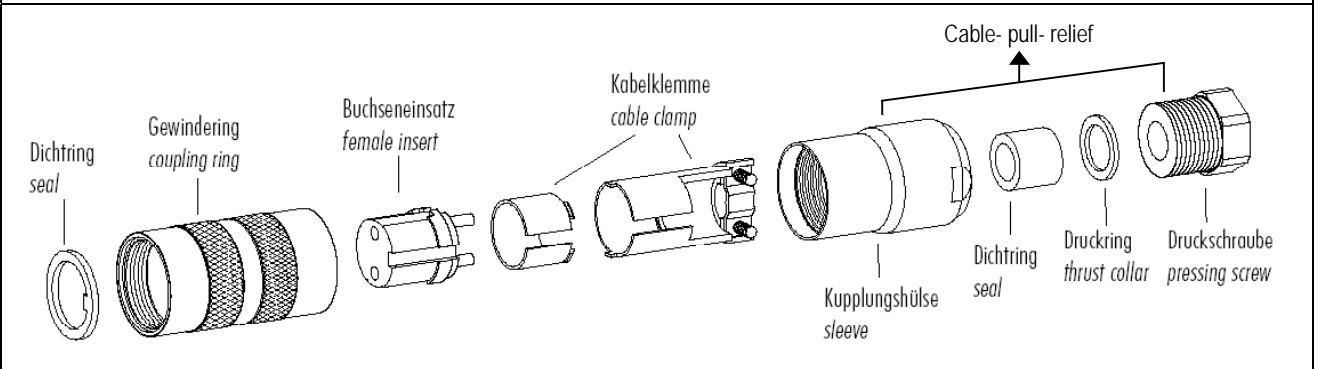
The electrical connection is carried out by plug in accordance with the connecting diagram.

4.3.1 Plug Mounting

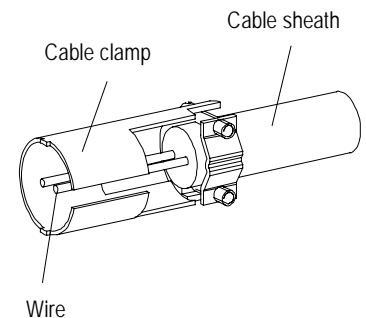
Applies only to instruments with connection „plug“.

Coupling socket, Typ:Binder, Serial 423, EMC with cable clamp

Cable connection: without cable shield



1. Stringing parts on cable acc. to plan given above.
2. Stripping cable sheath 20 mm
3. Cutting uncovered shield 20 mm
4. Stripping wire 5mm.
5. Soldering wire to the insert
6. Positioning shield in cable clamp.
7. Screwing-on cable clamp.
8. Assembling remaining parts acc. to upper plan.
9. Tightening pull-relief of cable by screw-wrench (SW16 und 17).



5 Taking into Operation

After the electrical connection has been established, and the case has been screwed, the operating voltage can be switched on. The setting of the relay output is undefined after switching on the operating voltage and shows „no precipitation“.

6 Maintenance

The device is maintenance free.

Cleaning:

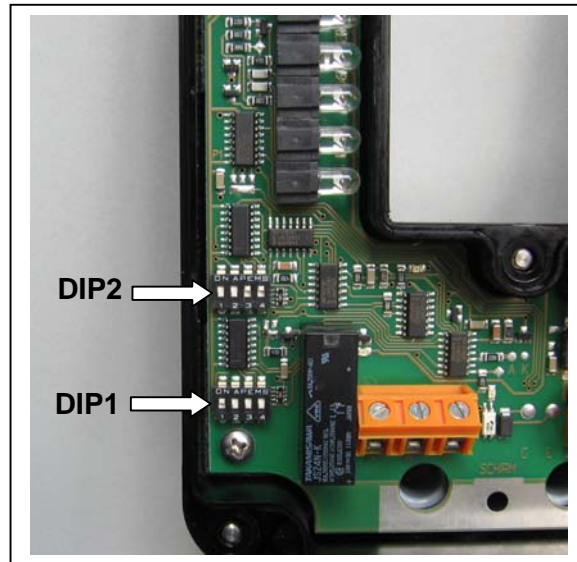
The pollution and the pollution level is dependent on the location. Therefore, we recommend the unit be checked at appropriate intervals and cleaned if necessary.

For the cleaning should use a damp cloth without chemical cleaning agents are used.

7 Setting of Incidences and Switch-off Delay

In the factory a setting is carried out for 12 drop incidences within 50 seconds with a switch-off delay of 25 seconds.

If this setting is to be changed, the **switch-off delay**, and the number of **drop incidences** are set through the **DIP-switches** acc. to the table.



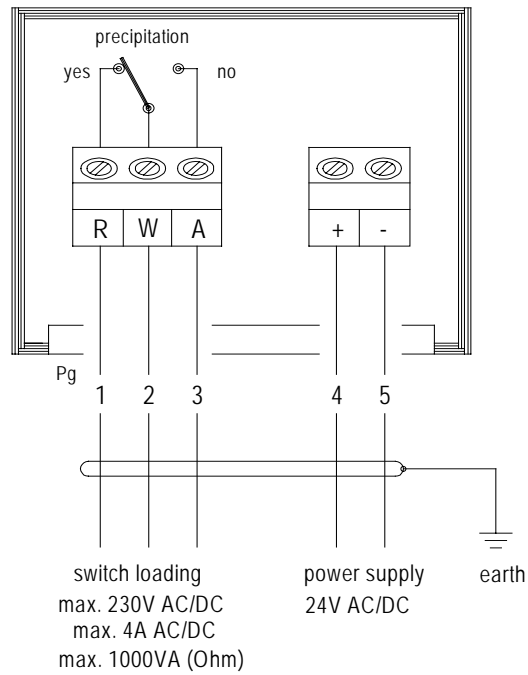
DIP1- switch-off delay					DIP2- drop incidences-filter				
S 1	S 2	S 3	S 4	Time(sec)	S 1	S 2	S 3	S 4	drops
ON	OFF	OFF	OFF	25	ON	OFF	OFF	OFF	1
OFF	ON	OFF	OFF	50	OFF	ON	OFF	OFF	2
ON	ON	OFF	OFF	75	ON	ON	OFF	OFF	3
OFF	OFF	ON	OFF	100	OFF	OFF	ON	OFF	4
ON	OFF	ON	OFF	125	ON	OFF	ON	OFF	5
OFF	ON	ON	OFF	150	OFF	ON	ON	OFF	6
ON	ON	ON	OFF	175	ON	ON	ON	OFF	7
OFF	OFF	OFF	ON	200	OFF	OFF	OFF	ON	8
ON	OFF	OFF	ON	225	ON	OFF	OFF	ON	9
OFF	ON	OFF	ON	250	OFF	ON	OFF	ON	10
ON	ON	OFF	ON	275	ON	ON	OFF	ON	11
OFF	OFF	ON	ON	300	OFF	OFF	ON	ON	12
ON	OFF	ON	ON	325	ON	OFF	ON	ON	13
OFF	ON	ON	ON	350	OFF	ON	ON	ON	14
ON	ON	ON	ON	375	ON	ON	ON	ON	15

Table 1: DIP – switch adjustment

- Grey marked squares = factory settings
- DIP – switch adjustment „OFF, OFF, OFF, OFF“: not defined

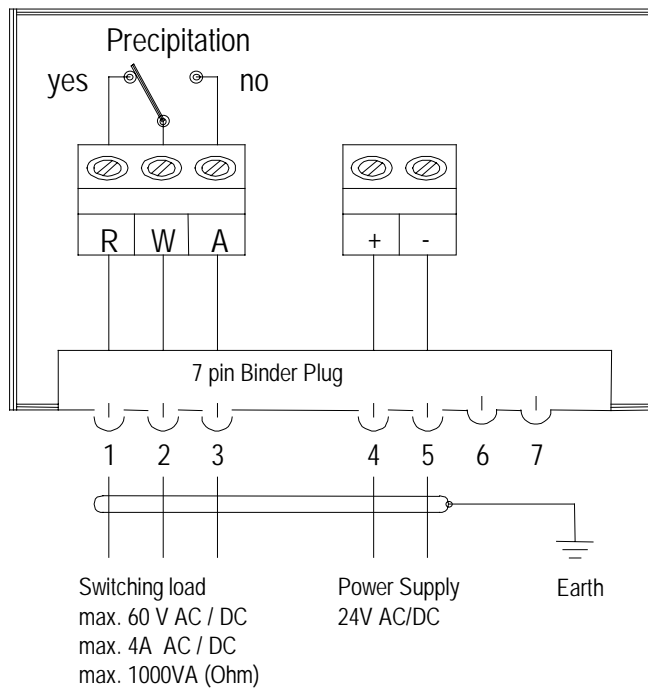
8 Connecting Diagram

Order-No.
5.4103.10.000

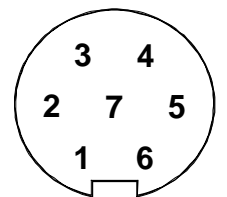


Order-No.
5.4103.10.700

Plug connection



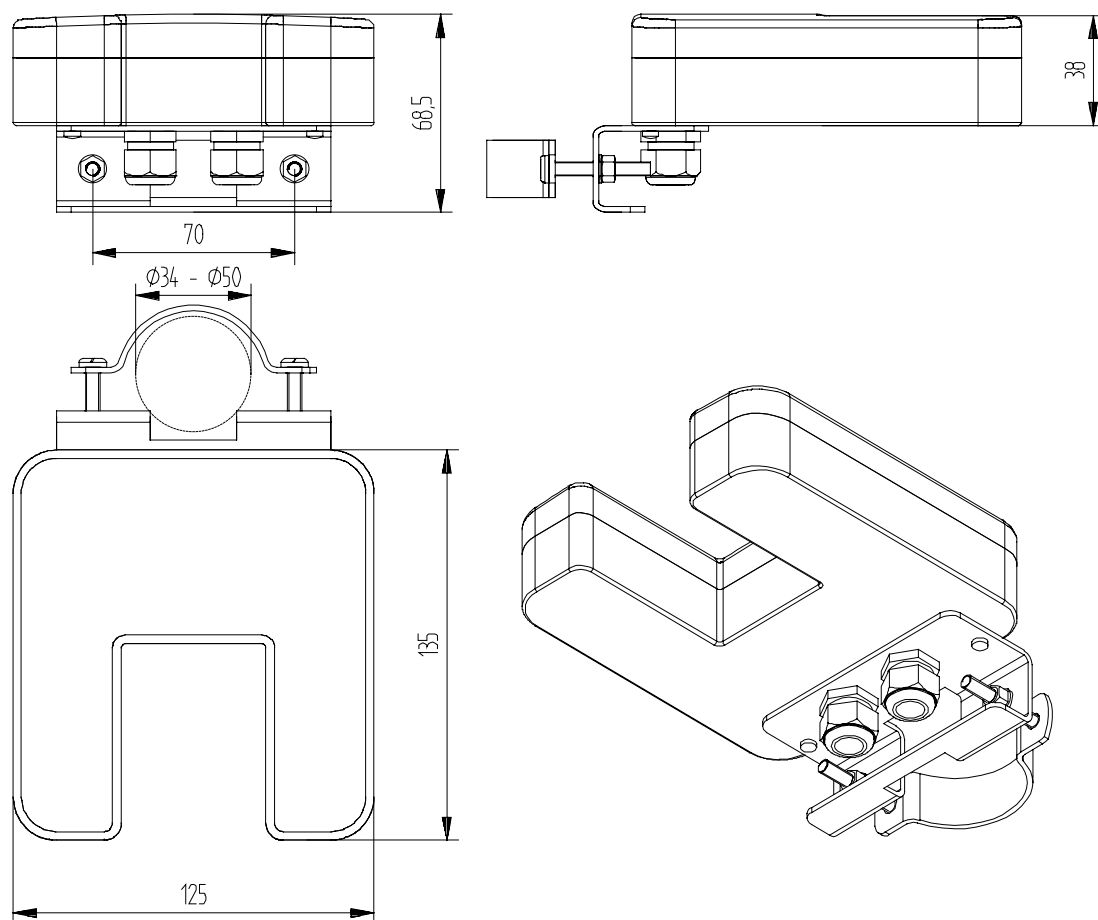
View on the soldering side of the counter plug.



9 Technical Data

Measuring value	: Status of precipitation (rain, snow, hail, etc.)
Output	: Precipitation = relay OFF (also at $U_B = 0$); no precipitation = relay ON
Sensor area	: 25 cm ²
Drop size	: $\geq 0,2$ mm
Switch-on condition	: 1... 15 incidences within 50 sec.
Switch-on delay	: none
Switch-off delay	: 25 ... 375 s ; see „ <i>Adjusting incidences and switch-off delay</i> “
Contact loading (relay) with model 5.4103.10.000	: max. 230 V AC; 4 A
with model 5.4103.10.700	: max. 60 V AC; 4 A
Operating voltage	: 24 V AC/DC \pm 15 %
Operation current	: approx. 300 mA @20°C ambient temperature max. approx. 1 A
Ambient temperature	: -30 ... +60°C
Protection	: IP 65 acc. to DIN 40050
EMV	: EN 61000-6-2 ; EN 61000-6-3
Weight	: 0,4 kg
Connection	See model

10 Dimension diagram



11 Accessories

Power Supply Unit	9.3388.00.002	<p>The power supply unit serves for the current supply of the precipitation monitor, order-no. 5.4103.10.000. It supplies the necessary operation voltage for the electronics and the heating.</p> <p>Primary : 230 V / 50 Hz Secondary : 24 V AC / 25 VA Housing : synthetic Protection : IP 65 acc. with DIN 40050 Dimensions : 107 x 125 x 100 mm Weight : 1,2 kg</p>
-------------------	---------------	---

12 EC-Declaration of Conformity

Document-No.: 000902

Month: 06 Year: 08

Manufacturer: **ADOLF THIES GmbH & Co. KG**

Hauptstr. 76
D-37083 Göttingen
Tel.: (0551) 79001-0
Fax: (0551) 79001-65
email: Info@ThiesClima.com

Description of Product: **Precipitation Transmitter**

Article No.	5.4103.10.000	5.4103.10.012	5.4103.10.700	5.4103.20.041
	5.4103.20.741	5.4103.30.000	5.4103.30.700	

specified technical data in the document: **021324/10/04; 021196/12/04; 021334/04/05; 021469/08/05**

The indicated products correspond to the essential requirement of the following European Directives and Regulations:

- | | |
|-------------|--|
| 2004/108/EC | DIRECTIVE 2004/108/EC OF THE EUROPEAN PARLIAMENT AND OF THE COUNCIL of 15 December 2004 on the approximation of the laws of the Member States relating to electromagnetic compatibility and repealing Directive 89/336/EEC |
| 2006/95/EC | DIRECTIVE 2006/95/EC OF THE EUROPEAN PARLIAMENT AND OF THE COUNCIL of 12 December 2006 on the harmonisation of the laws of Member States relating to electrical equipment designed for use within certain voltage limits |
| 552/2004/EC | Regulation (EC) No 552/2004 of the European Parliament and the Council of 10 March 2004 on the interoperability of the European Air Traffic Management network (the interoperability Regulation) |

The indicated products comply with the regulations of the directives. This is proved by the compliance with the following standards:

Reference number	Specification
IEC 61000-6-2: 2005	Electromagnetic compatibility Immunity for industrial environment
IEC 61000-6-3: 2006	Electromagnetic compatibility Emission standard for residential, commercial and light industrial environments
IEC 61010-1: 2001	Safety requirements for electrical equipment for measurement, control and laboratory use. Part 1: General requirements

Place: Göttingen

Date: 27.06.2008

Legally binding signature:

issuer:

.....
Wolfgang Behrens, General Manager

.....
Joachim Beinhorn, Development Manager

This declaration certifies the compliance with the mentioned directives, however does not include any warranty of characteristics. Please pay attention to the security advises of the provided instructions for use.



ADOLF THIES GmbH & Co. KG

Hauptstraße 76 37083 Göttingen Germany
P.O. Box 3536 + 3541 37025 Göttingen
Phone +49 551 79001-0 Fax +49 551 79001-65
www.thiesclima.com info@thiesclima.com



- Alterations reserved-